

**United States Court of Appeals
for the Federal Circuit**

BLACKBIRD TECH LLC, dba Blackbird Technologies,
Plaintiff-Appellant,

– v. –

ELB ELECTRONICS, INC., ETI SOLID STATE LIGHTING INC.,
FEIT ELECTRIC COMPANY INC.,
Defendants-Appellees.

*Appeal from the United States District Court for the District of
Delaware in Case No. 1:15-cv-00056-RGA
(consolidated with Case Nos. 1:15-cv-00057-RGA
and 1:15-cv-00058-RGA)*

**APPELLEES' COMBINED PETITION FOR PANEL
REHEARING OR REHEARING *EN BANC***

JOHN M. HINTZ
MAYNARD, COOPER & GALE, P.C.
The Fred F. French Building
551 Fifth Avenue, Suite 2000
New York, NY 10176
(646) 609-9280

*Counsel for Appellees
ELB Electronics, Inc. and
Feit Electric Company, Inc.*

D. PETER HOCHBERG
WALTER | HAVERFIELD LLP
The Tower at Erieview
1301 East 9th Street, Suite 3500
Cleveland, OH 44114-1821
(216) 928-2903

PHILIP A. ROVNER
JONATHAN A. CHOA
ALAN R. SILVERSTEIN
POTTER ANDERSON & CORROON LLP
Hercules Plaza
P.O. Box 951
Wilmington, DE 19899
(302) 984-6000

August 13, 2018

*Counsel for Appellee
ETi Solid State Lighting Inc.*

UNITED STATES COURT OF APPEALS FOR THE FEDERAL CIRCUIT

BLACKBIRD TECH LLC v. ELB ELECTRONICS, INC.

No. 17-1703

CERTIFICATE OF INTEREST

Counsel for Appellees, ELB Electronics, Inc. and Feit Electric Company, Inc., certifies the following:

1. The full name of every party or amicus represented by me is:

ELB Electronics, Inc. and Feit Electric Company, Inc.

2. The name of the real party in interest (if the party named in the caption is not the real party in interest) represented by me is:

ELB Electronics, Inc. and Feit Electric Company, Inc.

3. All corporations and publicly held companies that own 10 percent or more of the stock of the party or amicus curiae represented by me are:

ELB Electronics, Inc. – Shanghai Liqing Imp. & Exp. Co., Ltd.
Feit Electric Company, Inc. – None

4. The names of all law firms and the partners or associates that appeared for the party or amicus now represented by me in the trial court or agency or are expected to appear in this court (**and who have not or will not enter an appearance in this case**) are:

Rimon, P.C.

5. The title and number of any case known to counsel to be pending in this or any other court or agency that will directly affect or be directly affected by this court's decision in the pending appeal. *See* Fed. Cir. R. 47. 4(a)(5) and 47.5(b).

(1) *Blackbird Tech LLC v. DAMAR Worldwide 4 LLC*, 1:16-cv-00969-RGA (D. Del.);

- (2) *Blackbird Tech LLC v. TADD, LLC*, 1:16-cv-00970-RGA (D. Del.); and
- (3) *Blackbird Tech LLC v. Espen Technology Inc.*, 1:16-cv-00973-RGA (D. Del.).

August 13, 2018

Date

/s/ John M. Hintz

John M. Hintz

UNITED STATES COURT OF APPEALS FOR THE FEDERAL CIRCUIT

BLACKBIRD TECH LLC v. ELB ELECTRONICS, INC.

No. 17-1703

CERTIFICATE OF INTEREST

Counsel for Appellee, ETi Solid State Lighting Inc., certifies the following:

1. The full name of every party or amicus represented by me is:

ETi Solid State Lighting Inc.

2. The name of the real party in interest (if the party named in the caption is not the real party in interest) represented by me is:

ETi Solid State Lighting Inc.

3. All corporations and publicly held companies that own 10 percent or more of the stock of the party or amicus curiae represented by me are:

Elec-Tech International Co. Ltd.

4. The names of all law firms and the partners or associates that appeared for the party or amicus now represented by me in the trial court or agency or are expected to appear in this court (**and who have not or will not enter an appearance in this case**) are:

D. Peter Hochberg Co., L.P.A.

5. The title and number of any case known to counsel to be pending in this or any other court or agency that will directly affect or be directly affected by this court's decision in the pending appeal. *See* Fed. Cir. R. 47. 4(a)(5) and 47.5(b).

(1) *Blackbird Tech LLC v. DAMAR Worldwide 4 LLC*, 1:16-cv-00969-RGA (D. Del.);

(2) *Blackbird Tech LLC v. TADD, LLC*, 1:16-cv-00970-RGA (D. Del.);
and

- (3) *Blackbird Tech LLC v. Espen Technology Inc.*, 1:16-cv-00973-RGA
(D. Del.).

August 13, 2018

Date

/s/ D. Peter Hochberg

D. Peter Hochberg

TABLE OF CONTENTS

	<u>Page</u>
CERTIFICATES OF INTEREST	i
TABLE OF AUTHORITIES	vi
STATEMENT OF COUNSEL	1
THE POINTS OF LAW OR FACT OVERLOOKED OR MISAPPREHENDED BY THE PANEL OF THE COURT AND ARGUMENTS IN SUPPORT OF REHEARING OR REHEARING <i>EN BANC</i>	3
A. The Majority Ignored Well-Established Precedents Requiring Claim Terms to Be Construed in Context.....	3
B. The Majority’s Construction Is Not Supported by the Prosecution History.....	14
C. The Majority’s Construction Cannot Be Correct Because Claim 12 Will Be Invalid.....	17
CONCLUSION.....	18
ADDENDUM – Panel Opinion and Dissenting Opinion	
CERTIFICATE OF COMPLIANCE	
CERTIFICATE OF SERVICE	

TABLE OF AUTHORITIES

	<u>Page(s)</u>
<i>Bell Atl. Network Servs., Inc. v. Covad Commc’ns Group, Inc.</i> , 262 F.3d 1258 (Fed. Cir. 2001)	6
<i>Biogen Idec, Inc. v. GlaxoSmithKline LLC</i> , 713 F.3d 1090 (Fed. Cir. 2013)	15
<i>Carman Indus., Inc. v. Wahl</i> , 724 F.2d 932 (Fed. Cir. 1983)	17
<i>Cisco Sys., Inc. v. Cirrex Sys., LLC</i> , 856 F.3d 997 (Fed. Cir. 2017)	1, 9
<i>Eon Corp. IP Holdings LLC v. Silver Spring Networks, Inc.</i> , 815 F.3d 1314 (Fed. Cir. 2016)	1, 4
<i>Fenner Invs., Ltd. v. Cellco P’ship</i> , 778 F.3d 1320 (Fed. Cir. 2015)	15
<i>Gentry Gallery, Inc. v. Berkline Corp.</i> , 134 F.3d 1473 (Fed. Cir. 1998)	2, 9, 10, 13, 16
<i>Lexion Med., LLC v. Northgate Techs., Inc.</i> , 641 F.3d 1352 (Fed. Cir. 2011)	1, 6
<i>Markman v. Westview Instrs., Inc.</i> , 52 F.3d 967 (Fed. Cir. 1995) (<i>en banc</i>), <i>aff’d</i> , 517 U.S. 370 (1996)	1, 5
<i>Medrad, Inc. v. MRI Devices Corp.</i> , 401 F.3d 1313 (Fed. Cir. 2005)	1, 5
<i>Netword, LLC v. Centraal Corp.</i> , 242 F.3d 1347 (Fed. Cir. 2001)	1, 2, 5, 10, 13
<i>O’Reilly v. Morse</i> , 56 U.S. (15 How.) 62 (1853)	1, 9
<i>Phillips v. AWH Corp.</i> , 415 F.3d 1303 (Fed. Cir. 2005) (<i>en banc</i>)	1, 5, 6

<i>Ruckus Wireless, Inc. v. Innovative Wireless Solutions, Inc.</i> , 824 F.3d 999 (Fed. Cir. 2016)	1
<i>Trustees of Columbia Univ. v. Symantec Corp.</i> , 811 F.3d 1359 (Fed. Cir. 2016)	1, 5
<i>Vitronics Corp. v. Conceptronic, Inc.</i> , 90 F.3d 1576 (Fed. Cir. 1996)	1, 6

STATEMENT OF COUNSEL

Based on my professional judgment, I believe the panel decision is contrary to the following decisions of the Supreme Court of the United States or the precedents of this Court:

1. Precedential decisions holding that a claim term must be construed in the context of the entire patent: *Ruckus Wireless, Inc. v. Innovative Wireless Solutions, Inc.*, 824 F.3d 999 (Fed. Cir. 2016) (Reyna, J.); *Eon Corp. IP Holdings LLC v. Silver Spring Networks, Inc.*, 815 F.3d 1314 (Fed. Cir. 2016) (Prost, C.J.); *Trustees of Columbia Univ. v. Symantec Corp.*, 811 F.3d 1359 (Fed. Cir. 2016) (Dyk, J.); *Lexion Med., LLC v. Northgate Techs., Inc.*, 641 F.3d 1352 (Fed. Cir. 2011) (Rader, C.J.); *Phillips v. AWH Corp.*, 415 F.3d 1303 (Fed. Cir. 2005) (*en banc*); *Medrad, Inc. v. MRI Devices Corp.*, 401 F.3d 1313 (Fed. Cir. 2005) (Bryson, J.); *Netword, LLC v. Centraal Corp.*, 242 F.3d 1347 (Fed. Cir. 2001) (Newman, J.); *Vitronics Corp. v. Conceptronic, Inc.*, 90 F.3d 1576 (Fed. Cir. 1996) (Michel, J.); and *Markman v. Westview Instrs., Inc.*, 52 F.3d 967 (Fed. Cir. 1995) (*en banc*), *aff'd*, 517 U.S. 370 (1996).

2. Precedential decisions holding that claims must be given a scope commensurate with what the named inventors actually invented as measured by the disclosure in the specification: *O'Reilly v. Morse*, 56 U.S. (15 How.) 62 (1853); *Cisco Sys., Inc. v. Cirrex Sys., LLC*, 856 F.3d 997 (Fed. Cir. 2017) (Chen, J.);

Netword, LLC v. Centraal Corp., 242 F.3d 1347 (Fed. Cir. 2001) (Newman, J.);
and *Gentry Gallery, Inc. v. Berkline Corp.*, 134 F.3d 1473 (Fed. Cir. 1998)
(Lourie, J.).

/s/ John M. Hintz

John M. Hintz
ATTORNEY OF RECORD FOR
Appellees ELB Electronics, Inc. and
Feit Electric Company, Inc.

/s/ D. Peter Hochberg

D. Peter Hochberg
ATTORNEY OF RECORD FOR
Appellee ETi Solid State Lighting Inc.

/s/ Philip A. Rovner

Philip A. Rovner
ATTORNEY OF RECORD FOR
Appellee ETi Solid State Lighting Inc.

**THE POINTS OF LAW OR FACT OVERLOOKED
OR MISAPPREHENDED BY THE PANEL OF THE COURT
AND ARGUMENTS IN SUPPORT OF REHEARING
OR REHEARING *EN BANC***

**A. The Majority Ignored Well-Established Precedents
Requiring Claim Terms to Be Construed in Context**

The panel majority impermissibly and erroneously altered the scope of the claimed invention by failing to construe the lone claim term at issue in the context of the specification and the preamble of the only asserted claim, a preamble that all parties agreed is limiting (Appx7) and that defines the claimed invention as “[a]n energy-efficient lighting apparatus *for retrofit* with an existing light fixture having a ballast cover.” Appx41, col. 11, lines 26-27 (emphasis added).¹ This appeal should be reheard or heard *en banc* because the majority’s construction is erroneous, dooms the asserted claim to invalidity on remand, and will cause this proceeding to be unduly multiplied and extended.

“The sole issue on appeal is whether the ‘attachment surface’ in claim 12 must be secured to the ballast cover of the existing light fixture.” Dissenting Opinion *1; *see also* Opinion *4. The relevant portions of claim 12 of U.S. Patent No. 7,086,747 (“the ‘747 patent”) read as follows:

¹ A ballast cover “conceals the ballast and other wiring.” Opinion *3, n.1 (citing Appx38 at 5:2-4). A ballast “is an electronic component that maintains a current through the fluorescent lights to illuminate them.” *Id.* (citing Appx38 at 5:1-14, 65-67).

12. An energy-efficient *lighting apparatus for retrofit with an existing light fixture having a ballast cover*, comprising:

a housing having an *attachment surface* and an illumination surface;

* * *

a fastening mechanism for securing the attachment surface of the lighting apparatus to the illumination surface

Appx41, col. 11, lines 26-29 and 37-39 (emphasis added).

The majority construed “attachment surface” to mean the “layer of the housing to which the illumination surface is secured.” Opinion *9. The majority focused first on the “plain language” of the claim, concluding that claim 12 recites a “fastening mechanism” that secures the “attachment surface” to the “illumination surface” and noting that the claim “does not refer to any other fastening mechanism” or any other structure to which the “attachment surface” must be secured. Opinion *4-*5.

Appellees do not deny claim 12 states that the “fastening mechanism” secures the “attachment surface” to the “illumination surface,” but nothing in the ‘747 patent states or even suggests that the “fastening mechanism” cannot also secure the “attachment surface” to the ballast cover. The patent owner admitted as much. *See* Appx228 (“nothing prevents the ‘attachment surface’ from being secured to more than one surface”).

Although it is appropriate to look first to the plain language, a court must do more – the court must analyze the context of the claimed invention. *See Eon Corp.*

IP Holdings LLC v. Silver Spring Networks, Inc., 815 F.3d 1314, 1320 (Fed. Cir. 2016) (“Ordinary meaning is not something that is determined ‘in a vacuum.’”); *Trustees of Columbia Univ. v. Symantec Corp.*, 811 F.3d 1359, 1363 (Fed. Cir. 2016) (“The only meaning that matters in claim construction is the meaning in the context of the patent.”); *Netword, LLC v. Centraal Corp.*, 242 F.3d 1347, 1352 (Fed. Cir. 2001) (“The claims are directed to the invention that is described in the specification; they do not have meaning removed from the context from which they arose.”); *Phillips v. AWH Corp.*, 415 F.3d 1303, 1315 (Fed. Cir. 2005) (*en banc*) (“The claims, of course, do not stand alone. ... [C]laims ‘must be read in view of the specification, of which they are a part.’”) (citing and quoting *Markman v. Westview Instrs., Inc.*, 52 F.3d 967, 978, 979 (Fed. Cir. 1995) (*en banc*), *aff’d*, 517 U.S. 370 (1996)).

In assessing the context for “attachment surface,” the dissent and the District Court properly considered the “retrofit” function in the limiting preamble of claim 12. *See* Dissenting Opinion *3-*4; Appx257, page 44, lines 18-20; *see also Medrad, Inc. v. MRI Devices Corp.*, 401 F.3d 1313, 1319 (Fed. Cir. 2005) (“It is therefore entirely proper to consider the functions of an invention in seeking to determine the meaning of particular claim language.”).

The dissent correctly observed that “‘attachment surface’ appears only in claims related to the retrofit function,” and “[a]s the word ‘retrofit’ ... implies

securing the lighting apparatus *to* something, it is reasonable to conclude that the ‘attachment surface’ is involved with achieving the retrofit function.” Dissenting Opinion *2; *see Lexion Med., LLC v. Northgate Techs., Inc.*, 641 F.3d 1352, 1356 (Fed. Cir. 2011) (using two limitations “to inform the meaning” of another because “[t]his court prefers a claim interpretation that harmonizes the various elements of the claim to define a workable invention”) (citing *Phillips*, 415 F.3d at 1315-16).

The dissent also correctly observed that “[t]he plain language of claim 12, read in the context of the specification, implicitly requires that the attachment surface be secured to the ballast cover to achieve the retrofit function.” Dissenting Opinion *2. This Court has long recognized that a specification can implicitly define claim terms. *See, e.g., Bell Atl. Network Servs., Inc. v. Covad Commc’ns Group, Inc.*, 262 F.3d 1258, 1268 (Fed. Cir. 2001) (“[T]he specification may define claim terms ‘by implication’ such that the meaning may be ‘found in or ascertained by a reading of the patent documents.’”) (quoting *Vitronics Corp. v. Conceptoronic, Inc.*, 90 F.3d 1576, 1582, 1584 n.6 (Fed. Cir. 1996)).

The majority next erred by asserting that the District Court “read in a second fastening mechanism.” Opinion *5. The District Court did no such thing – it simply determined that the one and only “fastening mechanism” secures the “attachment surface” to the “illumination surface” **and** it also secures the “attachment surface” to the “ballast cover.” *See* Appx9, Appx7. That conclusion

squares with the patent owner's admission that "nothing prevents the 'attachment surface' from being secured to more than one surface." Appx228.

The majority next focused on the types of fasteners described in the '747 patent and concluded that "[t]here is no suggestion in the specification or prosecution history that this fastener is important in any way." Opinion *5. The majority misses the point. Appellees did not argue that the types of fasteners are important. Appellees argued the context requires consideration of the "fastening mechanism" term in claim 12. The descriptions in the specification about how the "attachment surface" relates to the "fastening mechanism" and about how the device accomplishes the claimed "retrofit" function are crucial to a proper construction of "attachment surface." The majority erred by failing to consider that context which led to a construction that defines a device that is not enabled and is inoperative. *See* "Brief of Appellees ELB Electronics, Inc., ETi Solid State Lighting Inc., and Feit Electric Company, Inc." ("Appellees' Br.") at 23 & 23n.5; Dissenting Opinion *4-*5.

The majority stated that it could not "discern, nor does any party argue that there is, a technologically significant reason to have the fastening mechanism secure the attachment surface to the ballast cover." Opinion *6. The majority is wrong on both counts.

First, the reason to have the “fastening mechanism” secure the “attachment surface” to the ballast cover of an existing light fixture is to have a device that works as intended and as described in the specification, *i.e.*, to be “retrofit with an existing light fixture having a ballast cover.” *See* Appx36, col. 2, lines 65-66; Dissenting Opinion *6 (“As the district court properly noted during the *Markman* hearing, the lighting apparatus for retrofit ‘ha[s] to be attached to something’ and cannot ‘hover ... like a ghost.’”) (citing Appx254 (brackets and ellipsis in original)).

Second, Appellees *did argue* there was a technological reason: “as the District Court correctly found, in order to accomplish the claimed ‘retrofit’ function, the ‘attachment surface’ of the ‘housing’ has to be secured to something on the existing light fixture, and ‘that something is the ballast cover’ of the existing light fixture.” Appellees’ Br. 20. The dissent emphasized the same reason: “The plain language of claim 12, read in the context of the specification, implicitly requires that the attachment surface be secured to the ballast cover to achieve the retrofit function.” Dissenting Opinion *2.

The majority incorrectly asserts that “[t]he apparatus disclosed in claim 12 is structurally complete as claimed.” Opinion *9. This is true only if one ignores the claimed “retrofit” function, as the majority did. Nothing in claim 12 describes what structure accomplishes the claimed “retrofit” function. *See* Dissenting

Opinion *5 (concluding that “the majority effectively reads the retrofit function out of claim 12”).

The descriptions in the specification of the structure that performs the claimed “securing” and the identity of the things “secured” thereby are consistent: the “fastening mechanism” secures the “attachment surface” to the ballast cover. *See* Appx37, col. 3, lines 7-10 (“The lighting apparatus also includes a fastening mechanism for securing the attachment surface of the lighting apparatus to the ballast cover.”); *see also* Appx40, col. 9, lines 1-25. Nothing in the specification discloses or supports the majority’s apparent conclusion that the “fastening mechanism” secures the “attachment surface” *only* to the “illumination surface.”

Where a disclosure is limited to a particular purpose, as it is here for “retrofit,” the claims are limited to that purpose. *See Gentry Gallery, Inc. v. Berkline Corp.*, 134 F.3d 1473, 1479 (Fed. Cir. 1998) (“[T]he original disclosure clearly identifies the console as the only possible location for the controls. ... Thus, locating the controls anywhere but on the console is outside the stated purpose of the invention.”).

For more than 150 years, courts have construed claims to be commensurate in scope with the specification. *See O’Reilly v. Morse*, 56 U.S. (15 How.) 62, 121 (1853) (“[An inventor] can lawfully claim only what he has invented and described, and if he claims more his patent is void.”); *see also Cisco Sys., Inc. v.*

Cirrex Sys., LLC, 856 F.3d 997, 1010 (Fed. Cir. 2017) (holding claims invalid because the specification lacked an explanation or suggestion that “the inventor contemplated that [claimed] approach”); *Netword, LLC*, 242 F.3d at 1352 (“Although ... the claims are not limited to the preferred embodiment, ... neither do the claims enlarge what is patented beyond what the inventor has described as the invention.” (citation omitted)); *Gentry Gallery*, 134 F.3d at 1480 (stating “claims may be no broader than the supporting disclosure”). Here, the only disclosure about “retrofit” is that the “attachment surface” is secured to the ballast cover of an existing light fixture. *See* Dissenting Opinion *3 (“The specification provides no other explanation for how the lighting apparatus may be retrofit to the existing light fixture.”).

The ‘747 patent discloses two embodiments. The first, in which a ballast cover is a component of a claimed lighting apparatus, is not at issue. *See* Appx31-32, Figures 1 and 2; Appx36, col. 2, line 24-64; Appx37-38, col. 4, line 36 to col. 5, line 54; Appx40-41, claims 1-11. The second, which is the subject of asserted claim 12, describes a ballast cover of an existing light fixture to which the claimed lighting apparatus is retrofitted. *See* Opinion *1-*3; *see also* Appx41, claim 12; Appx35, Figure 5; Appx36-37, col. 2, line 65 to col. 3, line 16; Appx40, col. 9, line 1 to col. 10, line 28. The named inventors’ explicit limitation of

“retrofit with an existing light fixture having a ballast cover” (Appx36, col. 2, lines 65-66) is unnecessary if attachment to the ballast cover is not required.

The specification explains that the apparatus of claim 12 is not designed to replace an existing light fixture, but instead is designed to “be secured to existing light fixtures” so that “existing light fixtures may be retrofit.” Appx40, col. 9, lines 4-6; *see also* Appx36, col. 2, line 65 to Appx37, col. 3, line 10; Appx40, col. 9, lines 1-25.

The specification is explicit, clear, and consistent: the “fastening mechanism” secures the “attachment surface” to the ballast cover. *See* Appx37, col. 3, lines 7-10 (“The lighting apparatus also includes a fastening mechanism for securing the attachment surface of the lighting apparatus to the ballast cover.”); *see also* Appx37, col. 3, lines 36-48 (description of a method of using the apparatus of Claim 12); Appx40, col. 9, lines 1-25 (describing Figure 5); Appx40, col. 9, lines 36-39 (“The attachment surface 530 of the housing 528 includes a fastening mechanism 534. The fastening mechanism 534 performs the function of securing the attachment surface 530 of the housing 528 to the ballast cover.”).

These disclosures are consistent with other parts of the specification that describe the claimed invention. *See* Appx40, col. 9, lines 7-10 (stating the housing “*is configured to be secured to the ballast cover*”) (emphasis added); Appx40, col. 9, lines 15-16 (“The housing 528 *is dimensioned* so that it may be installed to

an existing ballast cover.”) (emphasis added). There is no ambiguity – the specification states that the housing, of which the “attachment surface” is a part, “is” secured to the ballast cover, not that it “can be” or “might be.”

In contrast, the only description in the specification about how the “attachment surface” and the “illumination surface” relate to each other is that “[t]he illumination surface 532 is opposite the attachment surface 530” on the housing. *See* Appx40, col. 9, lines 19-20; *see also* Opinion *3; Appx35, Figure 5. The specification does not describe or illustrate the attachment surface being secured to the illumination surface.

The claimed structure is depicted in annotated Figure 5 below (*see also* Appellees’ Br. 8, 22), in which the light fixture is shown upside down, *i.e.*, when installed as a ceiling fixture, the LED lights (504) would point downward:

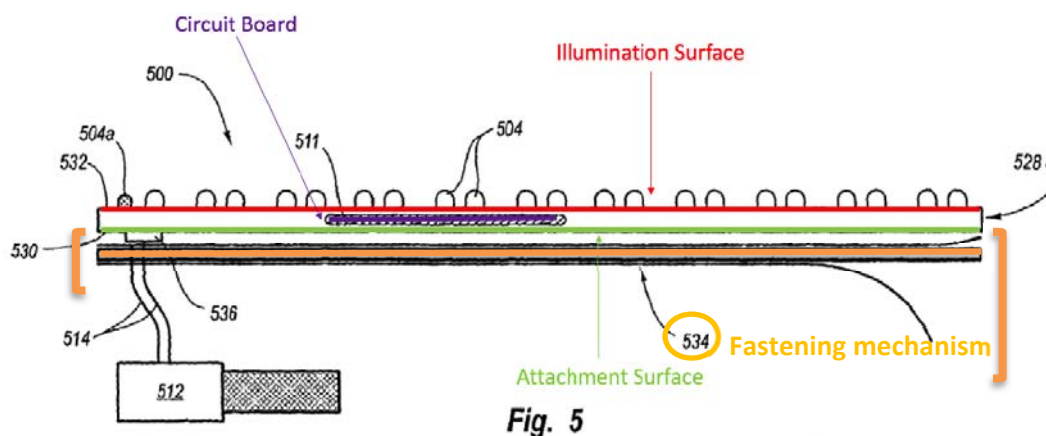


Figure 5 shows that the “fastening mechanism” (534, highlighted in orange) is not between the “attachment surface” (530, highlighted in green) and the

“illumination surface” (532, highlighted in red) securing those two surfaces together. Instead, Figure 5 shows the “fastening mechanism” is adjacent only to the “attachment surface” and is located between the “attachment surface” and where the ballast cover of an existing light fixture would be. *See Appellees’ Br.* 23-24; Appx40, col. 9, lines 36-51.

Figure 5 is not merely an embodiment of claim 12. Figure 5 shows the only embodiment of claim 12, which the patent owner described as the “core configuration” and “core structure” of claim 12. “Brief of Plaintiff-Appellant Blackbird Tech LLC” at 5. Although this Court ordinarily declines to limit a claim to an embodiment, this Court consistently has limited claims to the scope of a patentee’s disclosure. *See Gentry Gallery*, 134 F.3d at 1479 (“It is a truism that a claim need not be limited to a preferred embodiment. However, in a given case, the scope of the right to exclude may be limited by a narrow disclosure.”); *see also Netword, LLC*, 242 F.3d at 1352 (stating that claims cannot “enlarge what is patented beyond what the inventor has described as the invention”).

The specification supports the District Court’s construction, and it fails to provide any support for the panel majority’s construction. Nothing in the specification describes the attachment surface being attached to anything other than the ballast cover, and nothing in the specification describes the “illumination surface” and the “attachment surface” being “secured” to each other by the

“fastening mechanism.” Appellees’ argument is not an attempt to limit a claim to an embodiment; it is an effort to yield a claim construction that is commensurate with the scope of the disclosure in the specification and that describes an apparatus that functions as intended.

The majority erred by not properly considering the context of the ‘747 patent. Within that context, “attachment surface” should be construed as the “layer of the housing that is secured to the ballast cover.” Appx7.

**B. The Majority’s Construction
Is Not Supported by the Prosecution History**

According to the majority, an amendment made during prosecution deleting “ballast cover” from the “fastening mechanism” clause supports its construction. Opinion *7. The majority’s analysis and conclusion are flawed for several reasons.

First, the majority incorrectly asserts that Appellees never “suggested or alleged” a possible alternative to the majority’s conclusion that the amendment eliminated “the requirement that a fastening mechanism secures the attachment surface to the ballast cover.” *Id.* Appellees *did* suggest an alternate reason: because the amendment did not change the specification or the preamble of claim 12 requiring “retrofit,” when the Examiner proposed the amendment, he presumably appreciated that the requirement that the “attachment surface” be secured to the ballast cover already was a feature of the claimed invention that would not be altered by the amendment. *See* Appellees’ Br. 26-27, 29-30.

Second, the majority relies on decisions in which this Court emphasized that a patent applicant's statements in the prosecution history can be informative. *See* Opinion *8 (quoting, among other cases, *Fenner Invs., Ltd. v. Cellco P'ship*, 778 F.3d 1320, 1323 (Fed. Cir. 2015) and *Biogen Idec, Inc. v. GlaxoSmithKline LLC*, 713 F.3d 1090, 1095 (Fed. Cir. 2013)). Here, however, the applicants did not make any statements about the amendment, and there is no explanation from the Examiner other than the cryptic and erroneous statement that the amendment was made "to resolve [Section] 112 issues." Opinion *7 (quoting Appx56).

The Examiner's four-word statement does not aid in the interpretation of the term at issue because it was not accompanied by any explanation and because it is factually inaccurate. *See* Appx89, Appx91, Appx92 (showing the only rejections were made under Sections 102(b) and 103(a), *i.e.*, there were no "112 issues"); Dissenting Opinion *7 ("Apart from the amendment itself, the prosecution history sheds no light on the purpose or effect of the amendment on claim scope."); Appx8-9 ("The prosecution history contains nothing explaining, or even hinting at, the relationship between 35 U.S.C. § 112 and the amendments.").

Third, the amendment created, and not did resolve, Section 112 issues because there is not a single description or illustration about how the "attachment surface" and the "illumination surface" are secured to each other. Indeed, there is no reason or way for the "attachment surface" to be secured to the "illumination

surface” given that they are on opposite sides of the “housing.” *See* Appx35, Figure 5 (items 530 and 532); Appx37, col. 9, lines 19-20. On the contrary, the specification consistently describes, and Figure 5 shows, the “fastening mechanism” securing the “attachment surface” to the ballast cover.

One cannot reasonably interpret the amendment as changing claim 12 to read “a fastening mechanism for securing the attachment surface of the lighting apparatus to the illumination surface, *but not the ballast cover.*” (*See* Appellees’ Br. 29-30). Even the patent owner admits that “nothing prevents the ‘attachment surface’ from being secured to more than one surface.” Appx228.

However one reads the prosecution history, a vague, four-word statement by the Examiner erroneously referring to Section 112 cannot alter the context of the scope of the specification’s disclosure. *See* Dissenting Opinion *6-*7 (“The specification clearly details the importance of retrofitting ...” and “[t]he original claim 12 reveals that, prior to amendment, the applicant understood that the invention requires the attachment surface to be secured to the ballast cover.”); *see Gentry Gallery*, 134 F.3d at 1479 (finding that “the original disclosure clearly identifies the console as the only possible location for the controls,” and thus, “when viewed in its entirety, the disclosure is limited to sofas in which the recliner control is located on the console”).

**C. The Majority's Construction Cannot Be Correct
Because Claim 12 Will Be Invalid**

The majority's construction creates Section 112 problems because it "opens the door for the '747 patent to be subsequently invalidated for failure to satisfy the written description requirement" and "likewise invites an enablement challenge." Dissenting Opinion *4. The specification never describes or shows the "attachment surface" and the "illumination surface" secured to one another by anything, and it certainly does not disclose that they are secured to one another by the claimed "fastening mechanism."

On the contrary, the specification describes and shows that the "attachment surface" and the "illumination surface" form opposite sides of the "housing," and that the "attachment surface" is secured to the ballast cover of an existing light fixture by the "fastening mechanism." See Appx35, Figure 5 (items 530 and 532); Appx37, col. 3, lines 7-10; Appx40, col. 9, lines 1-51 (specifically, col. 9, lines 19-20 ("The illumination surface 532 is opposite the attachment surface 530.")). Giving effect to this context in construing claim 12 avoids dooming claim 12 to invalidity under Section 112. See Dissenting Opinion *4 (quoting *Carman Indus., Inc. v. Wahl*, 724 F.2d 932, 937 (Fed. Cir. 1983) ("Claims should be so construed, if possible, as to sustain their validity.")).

The majority's construction also renders claim 12 inoperable, and thus, invalid under Section 101. The dissent and the District Court correctly noted that

the purpose of the apparatus of claim 12 is to “retrofit” an existing light fixture. *See* Dissenting Opinion *3-*4, *6; Appx7; Appx41, col. 11, lines 26-27 (claim 12 preamble). Retrofitting necessarily implicates securing the claimed apparatus to some part of an existing light fixture. *See* Appx254, page 32, line 17 to page 33, line 1 (the District Court pointing out that the device would have to “hover there, kind of like a ghost”); *see also* Appx257, page 44, lines 18-20 (“The Court: ... What kind of retrofitting would you have where the attachment surface is not secured to the ballast cover?”).

CONCLUSION

For the foregoing reasons, Appellees respectfully request that the panel rehear this appeal or that the Court consider this appeal *en banc*.

Respectfully submitted,

Dated: August 13, 2018

/s/ John M. Hintz

John M. Hintz
MAYNARD, COOPER & GALE, P.C.
The Fred F. French Building
551 Fifth Avenue, Suite 2000
New York, NY 10176
(646) 609-9280

*Counsel for Appellees
ELB Electronics, Inc. and
Feit Electric Company, Inc.*

D. Peter Hochberg
WALTER | HAVERFIELD LLP
The Tower at Erieview
1301 East 9th Street, Suite 3500
Cleveland, OH 44114-1821
(216) 928-2903

Philip A. Rovner
Jonathan A. Choa
Alan R. Silverstein
POTTER ANDERSON & CORROON LLP
Hercules Plaza
P.O. Box 951
Wilmington, DE 19899
(302) 984-6000

*Counsel for Appellee
ETi Solid State Lighting Inc.*

ADDENDUM

**United States Court of Appeals
for the Federal Circuit**

**BLACKBIRD TECH LLC, DBA BLACKBIRD
TECHNOLOGIES,**
Plaintiff-Appellant

v.

**ELB ELECTRONICS, INC., ETI SOLID STATE
LIGHTING INC., FEIT ELECTRIC COMPANY INC.,**
Defendants-Appellees

2017-1703

Appeal from the United States District Court for the District of Delaware in Nos. 1:15-cv-00056-RGA, 1:15-cv-00057-RGA, 1:15-cv-00058-RGA, 1:15-cv-00062-RGA, Judge Richard G. Andrews.

Decided: July 16, 2018

SEAN KEVIN THOMPSON, Blackbird Technologies, Boston, MA argued for plaintiff-appellant. Represented by WENDY VERLANDER; CHRISTOPHER FREEMAN, Chicago, IL; STAMATIOS STAMOULIS, Stamoulis & Weinblatt LLC, Wilmington, DE.

JOHN HINTZ, Maynard, Cooper & Gale, PC, New York, NY, argued for all defendants-appellees.

PHILIP A. ROVNER, Potter Anderson & Corroon, LLP, Wilmington, DE, for defendant-appellee ETi Solid State Lighting Inc. Also represented by JONATHAN A. CHOA, ALAN R. SILVERSTEIN; DAVID PETER HOCHBERG, Walter Haverfield LLP, Cleveland, OH.

Before PROST, *Chief Judge*, MOORE and REYNA, *Circuit Judges*.

Opinion for the court filed by *Circuit Judge* MOORE.

Dissenting opinion filed by *Circuit Judge* REYNA.

MOORE, *Circuit Judge*.

Blackbird Tech LLC (“Blackbird”) appeals the U.S. District Court for the District of Delaware’s entry of judgment of noninfringement of claim 12 of U.S. Patent No. 7,086,747 (“’747 patent”) based on its construction of “attachment surface.” Because the court erred in construing “attachment surface,” we vacate and remand.

BACKGROUND

Blackbird owns the ’747 patent, which is directed to energy efficient lighting apparatuses. ’747 patent at Abstract, 2:24–3:16. One embodiment, illustrated in Figure 5 below, discloses retrofitting an existing light fixture with a more energy efficient lighting apparatus. *Id.* at 9:1–10:28.

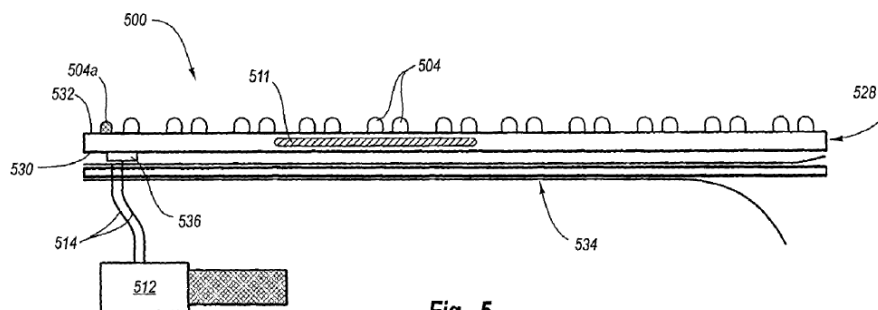


Fig. 5

Id. at Fig. 5. This embodiment depicts a lighting apparatus 500, which includes a housing 528 that is dimensioned to be installed to an existing ballast cover¹ (not shown). *Id.* at 9:12–16. The housing has an attachment surface 530 and an illumination surface 532 at opposite ends. *Id.* at 9:16–20. In “typical operation” the attachment surface is secured to the ballast cover of the existing light fixture through a fastening mechanism 534. *Id.* at 9:16–19, 9:36–51.

Blackbird sued ELB Electronics, Inc., ETi Solid State Lighting Inc., and Feit Electric Company, Inc. (collectively, “Defendants”) for infringing claim 12 of the ’747 patent. It recites:

12. An energy-efficient lighting apparatus for retrofit with an existing light fixture having a *ballast cover*, comprising:

a housing having an *attachment surface* and an *illumination surface*;

a plurality of illumination surface holes in the illumination surface;

a circuit board comprising a plurality of light-emitting diodes, wherein the circuit board is positioned adjacent the housing so that the plurality of light-emitting diodes protrude through the plurality of illumination surface holes in the illumination surface; and

¹ The specification explains that the ballast is an electronic component that maintains a current through the fluorescent lights to illuminate them. *Id.* at 5:1–14, 65–67. The ballast cover conceals the ballast and other wiring. *Id.* at 5:2–4.

a fastening mechanism for securing the attachment surface of the lighting apparatus to the illumination surface, wherein the lighting apparatus is coupled to a wall switch and wherein the illumination of the light-emitting diodes is controllable based upon the position of the wall switch.

The parties disputed the meaning of “attachment surface,” specifically whether the attachment surface must be secured to the ballast cover. Blackbird proposed construing “attachment surface” as “layer of the housing to which the illumination surface is secured,” and Defendants proposed “layer of the housing that is secured to the ballast cover and to which the illumination surface is secured.” J.A. 7. The district court construed “attachment surface” as “layer of the housing that is secured to the ballast cover.” J.A. 7–9.

Following claim construction, Blackbird stipulated to noninfringement, and the district court entered judgment in favor of Defendants. Blackbird timely appeals. We have jurisdiction under 28 U.S.C. § 1295(a)(1).

DISCUSSION

We review claim construction based solely on intrinsic evidence de novo. *Poly-Am., L.P. v. API Indus., Inc.*, 839 F.3d 1131, 1135–36 (Fed. Cir. 2016). “The words of a claim are generally given their ordinary and customary meaning as understood by a person of ordinary skill in the art when read in the context of the specification and prosecution history.” *Thorner v. Sony Comput. Entm’t Am. LLC*, 669 F.3d 1362, 1365 (Fed. Cir. 2012).

We conclude that the district court erred in construing “attachment surface” to be secured to the ballast cover. By its plain language, claim 12 does not require the attachment surface to be secured to the ballast cover. Claim 12 expressly recites a fastening mechanism for

securing the attachment surface to the illumination surface. It does not refer to any other fastening mechanism. It does not require the attachment surface be secured to anything other than the illumination surface.

The district court nevertheless read in a second fastening mechanism—this one to secure the attachment surface to the ballast cover. As discussed, the specification discloses an embodiment for an energy efficient lighting apparatus that can be retrofitted on an existing fixture, and that embodiment describes a fastener that connects the ballast cover to the attachment surface. *See, e.g.*, '747 patent at 2:65–3:10, 9:1–10:28, Fig. 5. We do not agree that this fastener limitation should be imported into the claim.

There is no suggestion in the specification or prosecution history that this fastener is important in any way that would merit reading it into claim 12. In fact, in describing the embodiment in Figure 5, the specification explains that the fastening can be achieved by “many different types of fastening mechanisms” including “an adhesive strip” (think tape), “a magnet, clips, screws, etc.” '747 patent at 9:40–51. It never refers to this run-of-the-mill fastener as the “present invention” or “an essential element” or uses any other language that would cause the ordinarily skilled artisan to believe that this fastening mechanism is an important component of the invention or that it is critical to the invention for any reason.² *See,*

² This fastener is also mentioned in the “Summary of the Invention.” '747 patent at 2:65–3:10. The Summary of the Invention often spans many paragraphs, columns, or even pages. In cases where we have held limitations ought to be read in, it was not simply because those limitations appeared in the Summary of the Invention. There was specific language that made clear those limitations were important to the claimed invention. *See,*

e.g., *Luminara Worldwide, LLC v. Liown Elecs. Co.*, 814 F.3d 1343, 1353 (Fed. Cir. 2016) (noting we have found disavowal or disclaimer based on statements such as “the present invention includes” or “the present invention is”); *X2Y Attenuators, LLC v. Int’l Trade Comm’n*, 757 F.3d 1358, 1362 (Fed. Cir. 2014) (noting we have held labeling an embodiment or element as “essential” may constitute disavowal and finding disavowal where the specification stated a disclosure was an “essential element among all embodiments or connotations of the invention”); *Regents of Univ. of Minn.*, 717 F.3d at 936 (finding disavowal where the specification used the phrase “[t]he present invention”); *Verizon Servs. Corp. v. Vonage Holdings Corp.*, 503 F.3d 1295, 1308 (Fed. Cir. 2007) (same); *Honeywell Int’l, Inc. v. ITT Indus., Inc.*, 452 F.3d 1312, 1318 (Fed. Cir. 2006) (same); *SciMed Life Sys., Inc. v. Advanced Cardiovascular Sys., Inc.*, 242 F.3d 1337, 1343–45 (Fed. Cir. 2001) (same and “all embodiments of the present invention”). We cannot discern, nor does any party argue that there is, a technologically significant reason to have the fastening mechanism secure the attachment surface to the ballast cover. At oral argument, a number of different, technologically unsophisticated mechanisms for fastening were discussed. Oral Arg. at 20:10–20:35, 21:28–22:14. No party argued that the fastening mechanism securing the attachment surface to the ballast cover was an important feature of the claimed invention. Nor is there any such suggestion in either the intrinsic or extrinsic evidence. To the contrary, the specification explains the embodiment in Figure 5 is exemplary and non-limiting. ’747 patent at 4:16–27, 10:29–32. It also explains that it is in “typical operation” that the attachment

e.g., *Regents of Univ. of Minn. v. AGA Med. Corp.*, 717 F.3d 929, 936 (Fed. Cir. 2013) (finding disclosures in the Summary of the Invention limiting where directed to “[t]he present invention”).

surface is secured to the ballast cover. *Id.* at 9:17–19. It simply cannot be the case that every screw mentioned in an embodiment of the specification must be read into the claim. Without any evidence that the fastener is important, essential, or critical to the invention, it should not be read in as a claim limitation.

And possibly the most important reason why the fastener for connecting the attachment surface to the ballast cover disclosed in an embodiment ought not be imported into the claim is because that limitation was originally present in claim 12 and was expressly eliminated during prosecution. Claim 12 was initially rejected under 35 U.S.C. § 102(b), and the applicant made responsive amendments not relevant here. The examiner then had an interview with the applicant. He prepared the examiner's summary of the interview, which stated the applicant agreed to amend claim 12 "to resolve 112 issues." J.A. 56. That amendment deleted "ballast cover" and replaced it with "illumination surface." J.A. 54. That is, the applicant expressly eliminated from the claim a fastening mechanism that secures the attachment surface to the ballast cover and replaced it with a fastening mechanism that secures the attachment surface to the illumination surface. The claim was allowed. No ordinary artisan could read the prosecution history as anything other than eliminating the requirement that a fastening mechanism secures the attachment surface to the ballast cover. No other possible reason was suggested or alleged in this case.

Defendants argue the prosecution history is ambiguous because the examiner's requirement that the change be made "to resolve [§] 112 issues" provides no explanation for the amendment. This argument is both factually incorrect and legally irrelevant to how a skilled artisan reading this history would understand the claim scope. The examiner stated, and the applicant never contradicted, that the amendment was required for § 112 reasons.

Any skilled artisan would understand that if an examiner requires an amendment for § 112 reasons it is an amendment required for patentability. As a factual matter, no skilled artisan would understand this claim to require a fastening mechanism connecting the ballast cover to the attachment surface when that very limitation was expressly removed from the claim to secure patentability with the examiner's blessing and agreement. We review the prosecution history from the perspective of an ordinary artisan and what he would understand from its contents. The only takeaway here is that claim 12 needs a fastening mechanism to secure the attachment surface to the illumination surface, not to the ballast cover, because this was the only change made at the examiner's request for § 112 reasons. A person of ordinary skill in the art may not be able to divine what transpired between the applicant and the examiner in that interview that caused the change in claim language and scope. That is irrelevant to the issue. We look at what an ordinarily skilled artisan would understand *about claim scope* from reading the prosecution history. *See, e.g., Fenner Invs., Ltd. v. Celco P'ship*, 778 F.3d 1320, 1323 (Fed. Cir. 2015) (“Any explanation, elaboration, or qualification presented by the inventor during patent examination is relevant, for the role of claim construction is to ‘capture *the scope of the actual invention*’ that is disclosed, described, and patented.” (emphases added)); *Biogen Idec, Inc. v. GlaxoSmithKline LLC*, 713 F.3d 1090, 1095 (Fed. Cir. 2013) (“[T]he entirety of a patent's file history captures the public record of the patentee's representations concerning the scope and meaning of the claims.”); *Hynix Semiconductor Inc. v. Rambus Inc.*, 645 F.3d 1336, 1350 (Fed. Cir. 2011) (“*Phillips* counsels looking to the prosecution history to ‘show what a person of skill in the art would have understood disputed claim language to mean.’”); *Arachnid, Inc. v. Medalist Mktg. Corp.*, 972 F.2d 1300, 1302 (Fed. Cir. 1992) (noting that claim scope is determined by examining the prosecution history). And here, without

BLACKBIRD TECH LLC v. ELB ELECTRONICS, INC.

9

question, the requirement that the invention as claimed requires a fastening mechanism for securing the attachment surface to the ballast cover was undisputedly and unequivocally deleted from the claim.

Defendants argue the preamble, “[a]n energy-efficient lighting apparatus for retrofit with an existing light fixture having a ballast cover,” requires reading in the disclosed fastener for the claim to achieve its “retrofit” function. A requirement such as this, according to Defendants, is sufficient not only to read into a claim a limitation that is not present, but also to read into the claim the precise mechanism by which that retrofitting shall be achieved. The only claim at issue is claim 12, and it is an apparatus, not a method claim. The apparatus disclosed in claim 12 is structurally complete as claimed. An apparatus claim is not required to include all elements necessary for the claimed structure’s installation. This claim does not recite how the lighting apparatus is installed into an existing light fixture, and it is not required to do so.

We have considered Defendants’ remaining arguments and find them unpersuasive.

CONCLUSION

We conclude the district court erred in construing “attachment surface,” and adopt Blackbird’s construction of “layer of the housing to which the illumination surface is secured.” Because the court’s entry of judgment of noninfringement was based on its erroneous construction, we vacate the entry of judgment and remand for further proceedings.

VACATED AND REMANDED

COSTS

Costs to Blackbird.

United States Court of Appeals for the Federal Circuit

**BLACKBIRD TECH LLC, DBA BLACKBIRD
TECHNOLOGIES,**
Plaintiff-Appellant

v.

**ELB ELECTRONICS, INC., ETI SOLID STATE
LIGHTING INC., FEIT ELECTRIC COMPANY INC.,**
Defendants-Appellees

2017-1703

Appeal from the United States District Court for the District of Delaware in Nos. 1:15-cv-00056-RGA, 1:15-cv-00057-RGA, 1:15-cv-00058-RGA, 1:15-cv-00062-RGA, Judge Richard G. Andrews.

REYNA, *Circuit Judge*, dissenting.

The sole issue on appeal is whether the “attachment surface” in claim 12 must be secured to the ballast cover of the existing light fixture. Because I conclude that the district court correctly construed “attachment surface” to mean “layer of the housing that is secured to the ballast cover,” I respectfully dissent.

Claim 12 does not expressly require that the attachment surface be attached to anything other than to the illumination surface. However, claim 12 does expressly

describe a lighting apparatus “for *retrofit* with an existing light fixture *having a ballast cover*.” ’747 patent col. 11 ll. 26–27 (emphases added). The majority fails to give meaning to these claim terms by holding that “attachment surface” means “layer of the housing to which the illumination surface is secured,” and concludes that the patent owner is entitled to patent scope that is neither described in nor supported by the specification.

The plain language of claim 12, read in the context of the specification, implicitly requires that the attachment surface be secured to the ballast cover to achieve the retrofit function. Apart from the preamble, which the parties agree is limiting, claim 12 contains no reference to the ballast cover, the existing light fixture, or where or how the apparatus is retrofit with the existing light fixture. Because the only feature of the existing light fixture described in claim 12 is the ballast cover, a person of ordinary skill would necessarily conclude that the attachment surface is secured to the ballast cover of the existing light fixture. This would not be a big leap.

The disputed term “attachment surface” appears only in claims related to the retrofit function—namely claim 12, the disputed claim, claim 29, which describes a method for retrofitting a light fixture, and various associated dependent claims. As the word “retrofit” in the preamble of claim 12 implies securing the lighting apparatus *to* something, it is reasonable to conclude that the “attachment surface” is involved with achieving the retrofit function.

The structure of the claim language gives further support that the “attachment surface” has a function associated with the retrofit function. Along with the “illumination surface,” the attachment surface is one of two identified surfaces of the lighting apparatus’s housing, and is secured to the illumination surface via a

fastening mechanism. *See id.* col. 11 ll. 28–29, 37–39. The illumination surface has an explicit function in addition to simply being secured to the attachment surface, suggesting that the attachment surface likewise has an additional “attachment” function other than attachment to the illumination surface. *See id.* col. 11 ll. 30–31.

Every single embodiment of the retrofit lighting apparatus in the specification describes securing the attachment surface to the ballast cover of the existing light fixture. The specification expressly discloses retrofitting by securing the attachment surface to the ballast cover in the summary of the invention, *see* ’747 patent col. 2 l. 65–col. 3 l. 10; col. 3 ll. 46–49 (describing “[a] method for retrofitting a light fixture with an energy-efficient lighting apparatus,” in which “[t]he method also involves *securing the attachment surface of the housing to the ballast cover*” (emphasis added)), and in the embodiment disclosed in connection with Figure 5, *see id.* col. 9 ll. 8–10. In describing Figure 5, the specification states that “[i]n typical operation, the attachment surface 530 is secured to the ballast cover.” *Id.* col. 9 ll. 17–19. The specification provides no other explanation for how the lighting apparatus may be retrofit to the existing light fixture. Taken collectively, these disclosures in the claims and the specification—and the lack of any reference in the intrinsic record showing the attachment surface being secured to anything other than the ballast cover—teach a skilled artisan that the attachment surface described in claim 12 is secured to the ballast cover of the existing light fixture. *See MBO Labs., Inc. v. Becton, Dickinson & Co.*, 474 F.3d 1323, 1329 (Fed. Cir. 2007) (“The words of patent claims have the meaning and scope with which they are used in the specification and the prosecution history.”).

The majority ignores the retrofit function that the attachment surface plays in the lighting apparatus. *See*

Medrad, Inc. v. MRI Devices Corp., 401 F.3d 1313, 1319 (Fed. Cir. 2005) (“It is . . . entirely proper to consider the functions of an invention in seeking to determine the meaning of particular claim language.”). Instead of recognizing the attachment surface as it is described throughout the specification—namely, to secure the lighting apparatus to the ballast cover—the majority’s construction merely parrots features of the attachment surface, i.e., that it is attached to the illumination surface. In doing so, the majority fails to give meaning to “attached” beyond what is already described in the claim language. See *Apple, Inc. v. Ameranth, Inc.*, 842 F.3d 1229, 1237 (Fed. Cir. 2016) (“Ideally, claim constructions give meaning to all of a claim’s terms.”). The majority’s construction completely disregards the context in which “attachment surface” is used, both in connection with the retrofit function and the embodiments described in the specification. The majority does not point to anything in the specification describing a retrofit apparatus in which the attachment surface is not secured to the ballast cover. And there is no suggestion in the record that such an embodiment was ever contemplated or possessed by the inventor.

The majority’s construction thus opens the door for the ’747 patent to be subsequently invalidated for failure to satisfy the written description requirement. Stated differently, the majority’s construction is a route towards rendering the patent invalid. See *Carman Indus., Inc. v. Wahl*, 724 F.2d 932, 937 (Fed. Cir. 1983) (“Claims should be so construed, if possible, as to sustain their validity. If such a construction would result in invalidity of the claims, the appropriate legal conclusion is one of noninfringement, not invalidity.”). The majority likewise invites an enablement challenge; under the majority’s approach, the retrofit aspect of the invention is merely an afterthought, one for which a skilled artisan must figure

out for themselves the means by which the retrofit function of the invention shall be achieved, without any guidance from the patent. *See* Maj. Op. at 9. This result is absurd, given that when the patent is read as a whole, such guidance is clearly provided.

Worse still, because the majority's construction "does not recite how the lighting apparatus is installed into an existing light fixture," *id.*, the majority effectively reads the retrofit function out of claim 12 and claim 29, the retrofitting method claim. Claim 29, while not at issue in this case, is instructive. *See Phillips v. AWH Corp.*, 415 F.3d 1303, 1314 (Fed. Cir. 2005) (en banc) ("Because claim terms are normally used consistently throughout the patent, the usage of a term in one claim can often illuminate the meaning of the same term in other claims."). Claim 29 contains the same "attachment surface" limitation at issue in claim 12:

29. A method for *retrofitting* a light fixture with an energy-efficient lighting apparatus, the light fixture having a ballast cover, the method comprising:

providing a housing having an attachment surface and an illumination surface, wherein the illumination surface comprises a plurality of illumination surface holes;

providing a circuit board comprising a plurality of light-emitting diodes;

positioning the circuit board adjacent the housing so that the plurality of light-emitting diodes protrude through the plurality of illumination surface holes in the illumination surface; and

securing the attachment surface of the housing to the illumination surface, wherein the lighting apparatus is coupled to a wall switch and

wherein the illumination of the light-emitting diodes is controllable based upon the position of the wall switch.

'747 patent, col. 12 ll. 52–60 (emphasis added).

We cannot discount the importance of the retrofit aspect to the invention as a whole. The specification clearly details the importance of retrofitting energy-efficient lighting apparatuses into preexisting light fixtures as a means of achieving energy savings without incurring significant expense. '747 patent, col. 9 ll. 5–10; col. 10 ll. 6–9. Yet the majority contends that claim 12, as an apparatus claim, is structurally complete as construed and need not describe the method of installation. Maj. Op. at 9. But because the majority's construction does not disclose how the apparatus is installed, securing the retrofit apparatus to the preexisting light fixture falls outside of the scope of the claims. If "attachment surface" is not construed as being secured to the ballast cover, claim 29 utterly fails to disclose how the retrofit function is to be achieved. As the district court properly noted during the *Markman* hearing, the lighting apparatus for retrofit "ha[s] to be attached to something" and cannot "hover . . . like a ghost." J.A. 254.

The majority's reliance on the prosecution history is similarly misplaced. The prosecution history "can often inform the meaning of the claim language by demonstrating how the inventor understood the invention" but "lacks the clarity of the specification and thus is less useful for claim construction purposes." *Phillips*, 415 F.3d at 1317; *see also Grober v. Mako Prods., Inc.*, 686 F.3d 1335, 1341 (Fed. Cir. 2012) ("[W]hile the prosecution history can inform whether the inventor limited the claim scope in the course of prosecution, it often produces ambiguities created by ongoing negotiations between the inventor and the PTO."). The original claim 12 reveals that, prior to

amendment, the applicant understood that the invention requires the attachment surface to be secured to the ballast cover. *See Phillips*, 415 F.3d at 1317. Apart from the amendment itself, the prosecution history sheds no light on the purpose or effect of the amendment on claim scope. I conclude that the amendment is ambiguous as to the scope of the disputed limitation and has no effect on the proper construction of “attachment surface” in claim 12. An ambiguous amendment, such as here, should not negate the evidence in the specification and the conclusion implicit in the claim language that the attachment surface is secured to the ballast cover.

Because the intrinsic record fully supports the construction of attachment surface as being secured to the ballast cover, I respectfully dissent.

CERTIFICATE OF COMPLIANCE

This petition complies with the type-volume limitations of Fed. Cir. R. 32(a). This petition contains 3,895 words, excluding the parts of the petition exempted by Fed. Cir. R. 35(c)(2). This petition complies with the typeface requirements of Fed. R. App. P. 32(a)(5) and the type style requirements of Fed. R. App. P. 32(a)(6). This petition has been prepared in a proportionally spaced typeface using Microsoft Word in 14-point Times New Roman.

Dated: August 13, 2018

/s/ John M. Hintz
John M. Hintz

CERTIFICATE OF SERVICE

I hereby certify that on August 13, 2018, I electronically filed the foregoing “Appellees’ Combined Petition for Panel Rehearing or Rehearing *En Banc*” using the Court’s CM/ECF system, which will send notice of such filing to counsel for all parties. Additionally, on this date, I served counsel for Appellant with a copy of the foregoing petition by email pursuant to Fed. R. Civ. P. 5(b)(2)(e).

Dated: August 13, 2018

/s/ John M. Hintz
John M. Hintz